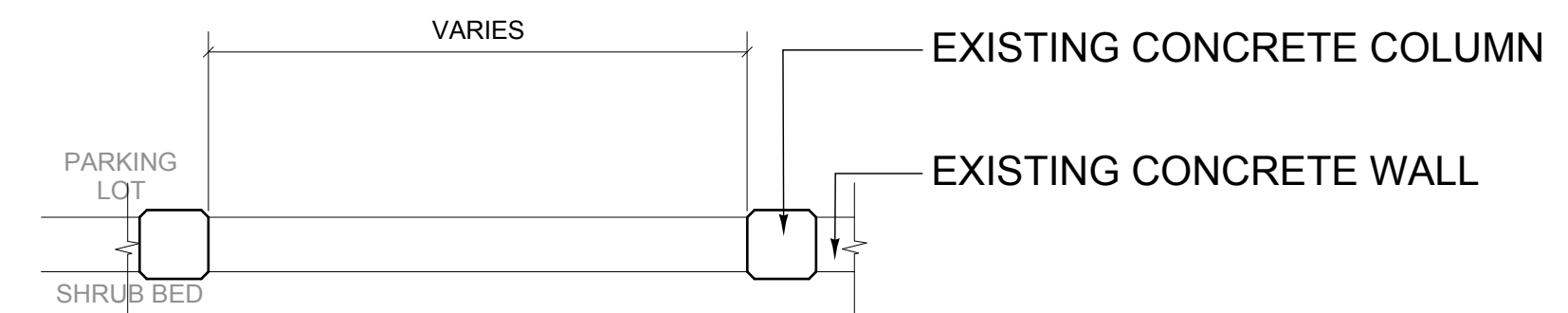
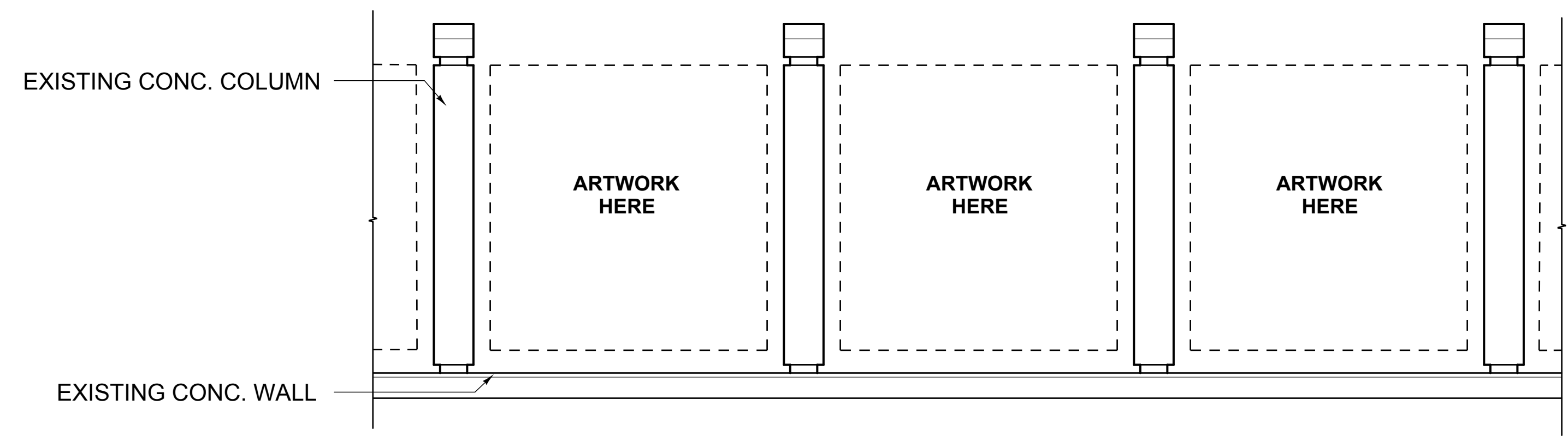
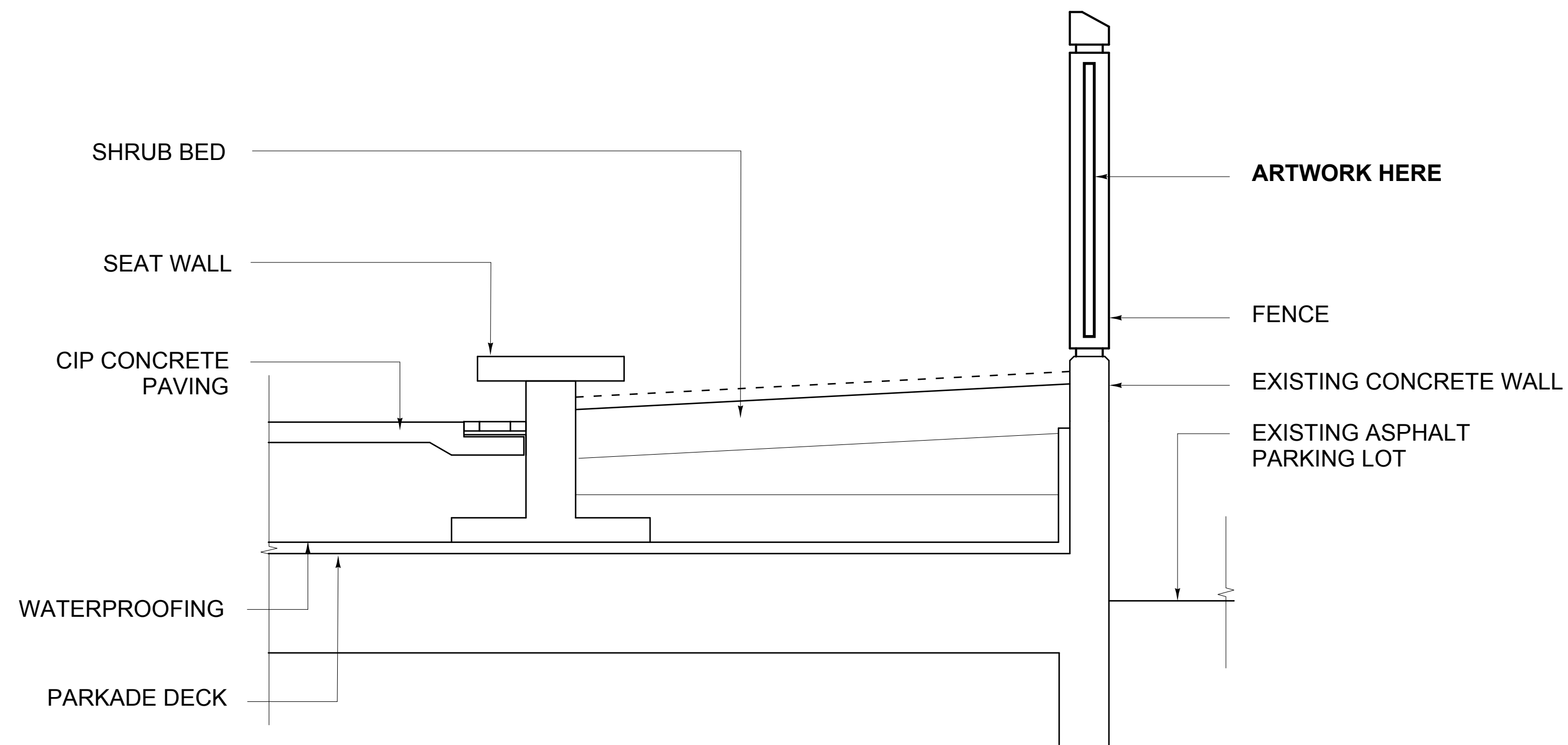


**SECTION 1**  
1:25

SPACING BETWEEN EXISTING  
CONCRETE COLUMNS VARIES MIN  
1880 & MAX 1940 - VERIFY ON SITE.



**PLAN**  
1:25



**ELEVATION**  
1:25

**SECTION 2**  
1:50

No.	Date	Issue/Revision	By
3	Sept 22/08	ISSUED FOR TENDER	MG
2	July 16/08	99% FOR CITY OF WINNIPEG REVIEW	
1	Dec 12/07	75% FOR CITY OF WINNIPEG REVIEW	

AP/EGM	Seal	Client
		<p>3rd Floor - 65 Garry Street, Winnipeg, MB R3C 4K4</p>

Mechanical/Structural Engineer

**SMS ENGINEERING**

SMS Engineering Ltd. Consulting Engineers  
770 Bradford Street Winnipeg MB Canada R3H 0R3  
Telephone 204.775.0291 Fax 204.772.2153  
sms@smseng.com

Architect

**LM Architectural Group**

Landscape Architect

**HILDERMAN THOMAS FRANK CRAM**

Landscape Architecture • Planning  
600-115 Barnaby Avenue East, Winnipeg, Manitoba, R3B 0R3  
Telephone 204-944-3907 Facsimile 204-957-1467

Structural Engineer

300-275 Carlton Street  
Winnipeg, Manitoba R3C 5R6  
T 204. 943. 7501  
F 204. 943. 7507

**Crosier Kilgour & Partners Ltd.**  
CONSULTING STRUCTURAL ENGINEERS

The general contractor shall check & verify all dimensions and report any errors or omissions to the designers.

Project  
**MILLENNIUM LIBRARY PARK REDEVELOPMENT**  
251 DONALD STREET  
WINNIPEG, MANITOBA

Sheet Title  
**CALL-TO-ARTISTS**

Sheet No.  
**WAC1**

Design	Drawn	Checked	Scale	Date	File
MAG/GM	AB/MAG	GM	AS NOTED		06-021

**FIGURE 4**